

SWBP INDICATOR

Stainless Steel Weighing Indicator with Printer



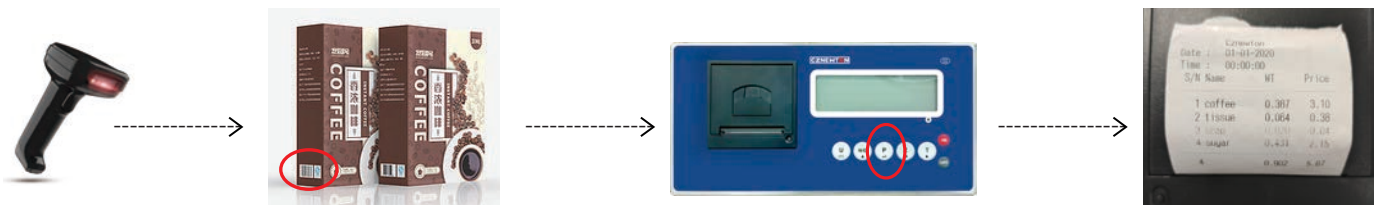
Function

The all-new SWBP weighing indicator not only provides precise weighing but also features a built-in printer for real-time label and receipt printing.

The indicator supports a wide range of applications, including weighing, cumulative weighing, categorized weighing, label and receipt printing, and checkweighing, offering versatile solutions.

With its reliable stability, accurate data, and user-friendly performance, the SWBP indicator is suitable for integration into various industrial and commercial systems.

Portable Matching Solution



1. The new SWBP stainless steel weighing indicator is suitable for various harsh industrial environments and common commercial environments.

2. Equipped with a printer and designed with modular options, whether you need to print labels or receipts, simply scan the product code with a barcode scanner, weigh the item, and print labels or receipts directly.

3. Built-in Bluetooth function for combined use with barcode scanners.

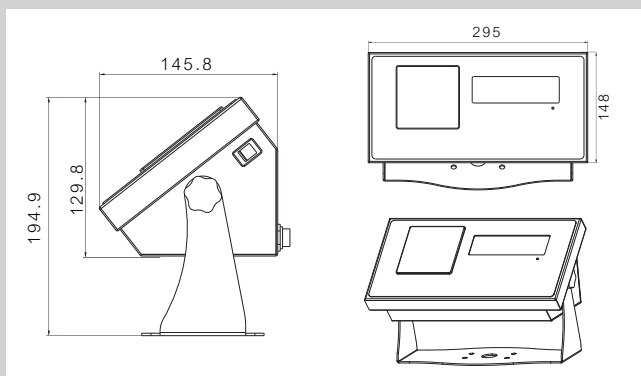
Specifications

Display	Model	SWBP
	Accuracy	III
	Weighing Units	g, kg, lb, lb.oz, HKg.l
	Display Screen	25mm LCD display with LED backlight
	Keys	Units, Net/Gross, Print, Zero, Tare, Power On, Power Off
	Functions	Weighing, Counting, Printing, Check weighing, weighing units, power-on zero tracking, auto power off mode, digital noise filter, full tare capacity, accumulative memory, programmable capacity and division, low battery icon and charging status indicator

Properties	Housing	Stainless steel housing, can be equipped with a pole stand and bracket
	Product Dimensions	295mm × 148mm × 145.8mm
	Weight	2.6kg
	Display	25mm LCD display with LED backlight
	Rechargeable Battery	6V / 4Ah, up to 50 hours of continuous use
	Power Supply	100V–240V, 12V / 1A
	Operating Temperature	-10°C to 40°C (14°F to 104°F)
	Protocol	Bluetooth communication

Printer Properties	Printing Method	Labels / Receipts
	Label Format	Free format with clock
	Information Editing	PC version
	Window Size	81.2mm * 81.2mm
	Paper Width	55±0.5mm
	Paper Diameter	50mm(max)
	Print Width	48mm

Indicator Dimensions



Mounting & Optional Accessories

